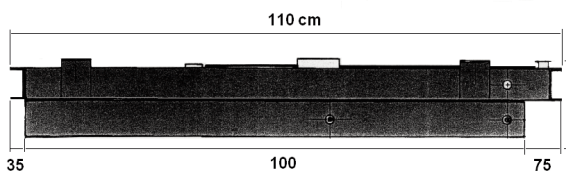
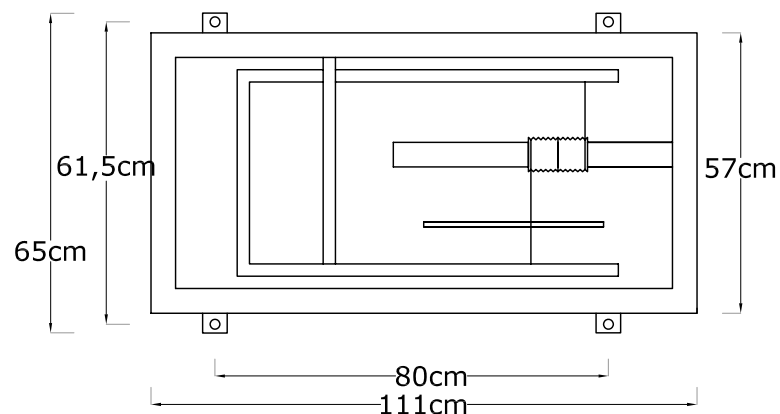
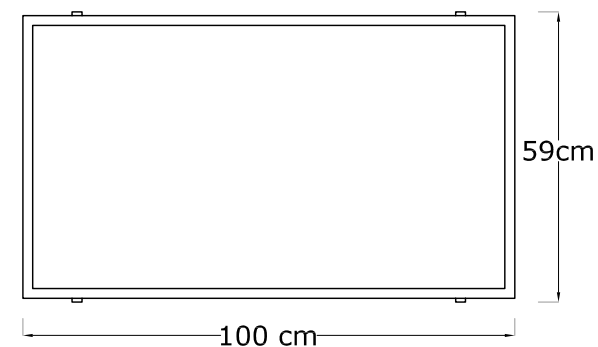


Side and Top views

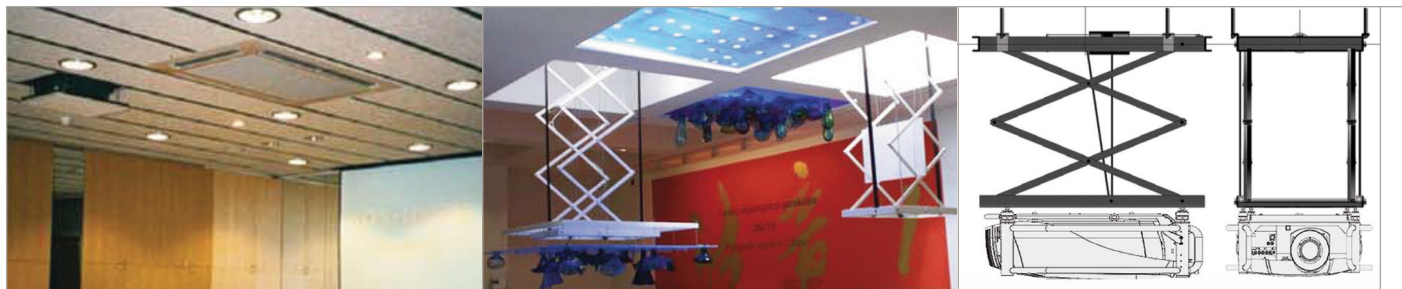


The PANTOGRAPHE 100 is designed to carry great size projectors of 100kg maximum

- 5 models are available with 1m, 2m, 3m, 4m or 5m descent
- The end-stops are adjustable on the motor

FEATURES

- 220V single phase engine equipped with 2 end-stops
- Delivered with an inverter up/down/stop
- Maximum charge of 100kg
- Equipped with a fall stop device



technical data

Reference	Dimensions (cm)	maximum charge	run length (cm)	stand height (cm)	net weight (kg)
SVP0401	111 x 65	105 kg	100	20	32
SVP0402	111 x 65	105 kg	200	22	41
SVP0403	111 x 65	105 kg	300	24	56
SVP0404	111 x 65	105 kg	400	26	71
SVP0405	111 x 65	105 kg	500	30	76



Chemin de Beaurepaire - CS 42005
91410 DOURDAN - FRANCE
Tel +33 1 64 59 94 54

