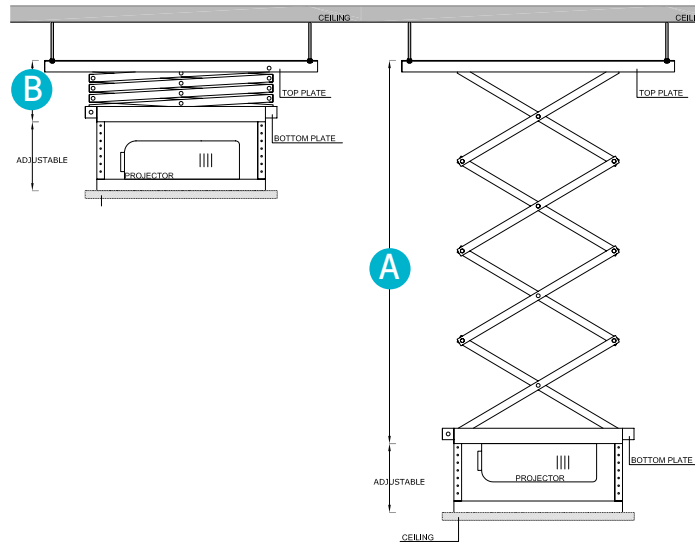
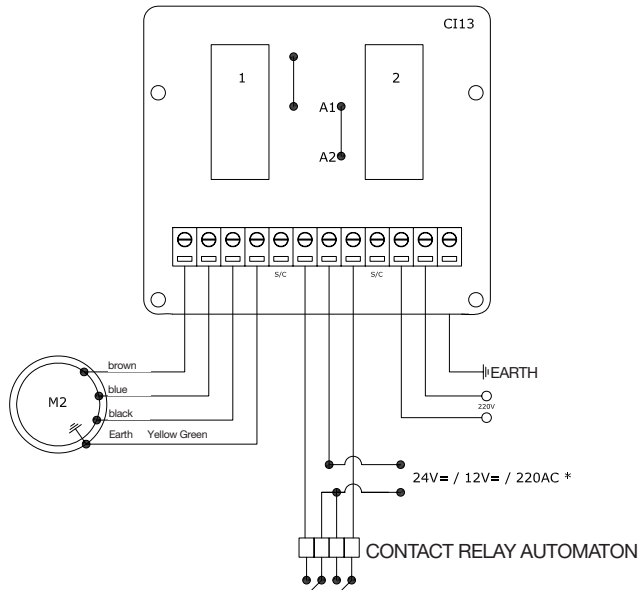


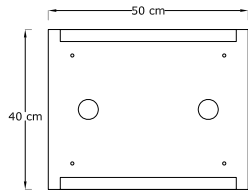
Top and side views



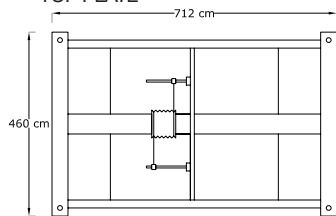
The MINI PANTOGRAPH 30 is designed to carry projectors of a maximum 30 kgs weight.

- End stops are adjustable from a remote control
- 250 V 50 Hz single-phase electric motor
- Absorbed power 220 Watts
- Delivered with an inverter up / down / stop and end stops settings

BOTTOM PLATE



TOP PLATE



Technical data

Reference	Run length	Weight (kg)	A	B
SVP0501	1 m	20	100 cm	16 cm
SVP0502	2 m	22	200 cm	20 cm
SVP0503	3 m	26	300 cm	24 cm
SVP0504	4 m	28	400 cm	28 cm



Chemin de Beaupaire
CS 42005
91410 DOURDAN
FRANCE
Tel +33 (0)1 64 59 94 54

