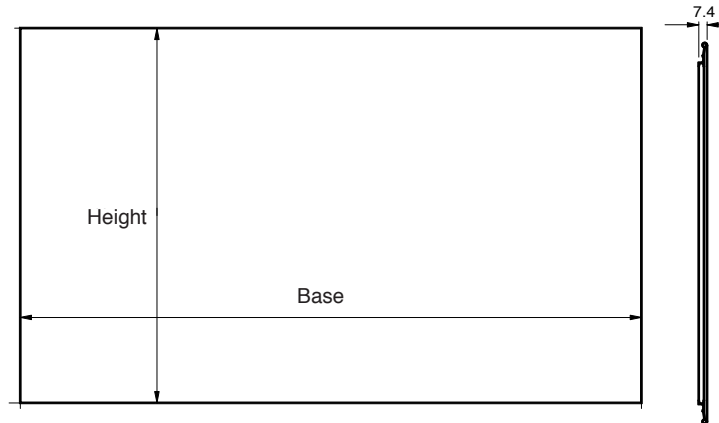
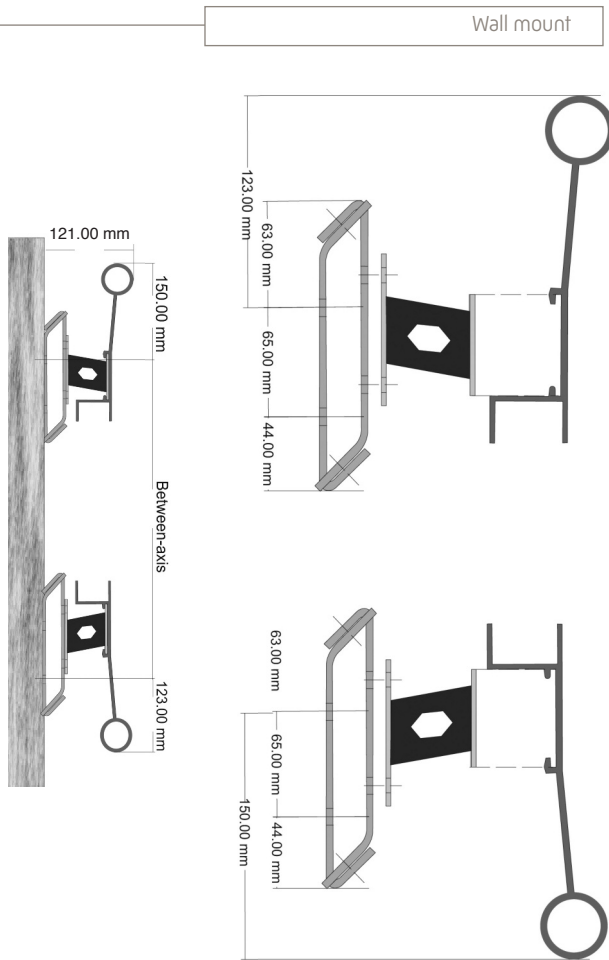
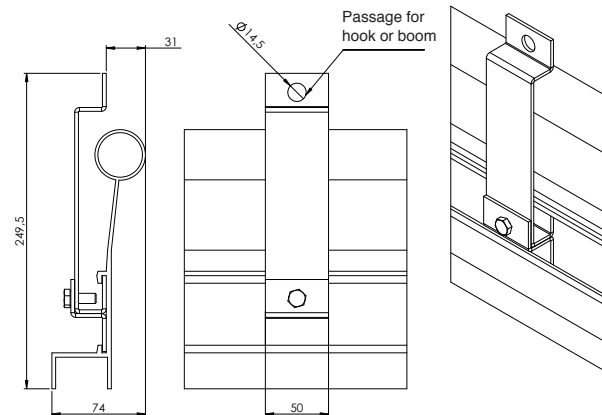


## Front and side view



## Suspended mount



Designed for large projection surfaces and adaptable to all movie theater, it will also suit large conference rooms, communication rooms, show rooms and auditoriums.

## FEATURES

- Wall mount or suspended, (wall brackets on standard version)
- Custom made
- Available in all dimensions
- Can be mounted and dismantled as wished
- Square corners in standard version
- Round corners on request

## Cinévision I

- Can be easily arched on site thanks to the specially designed profile of the frame
- Quick suspension of the frame to its brackets and locking by 45° rotation of the connecting part

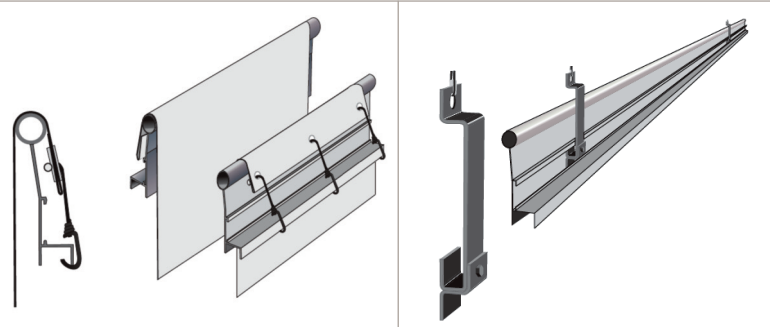
## OPTIONS

Custom made brackets according to your specifications.  
Adjustable brackets for the distance from the wall. Custom made.  
The model may differ according to the requested dimensions.

Screen surface tensioning system



Suspended mount



Chemin de Beaupaire - CS 42005  
91410 DOURDAN - FRANCE  
Tel +33 1 64 59 94 54