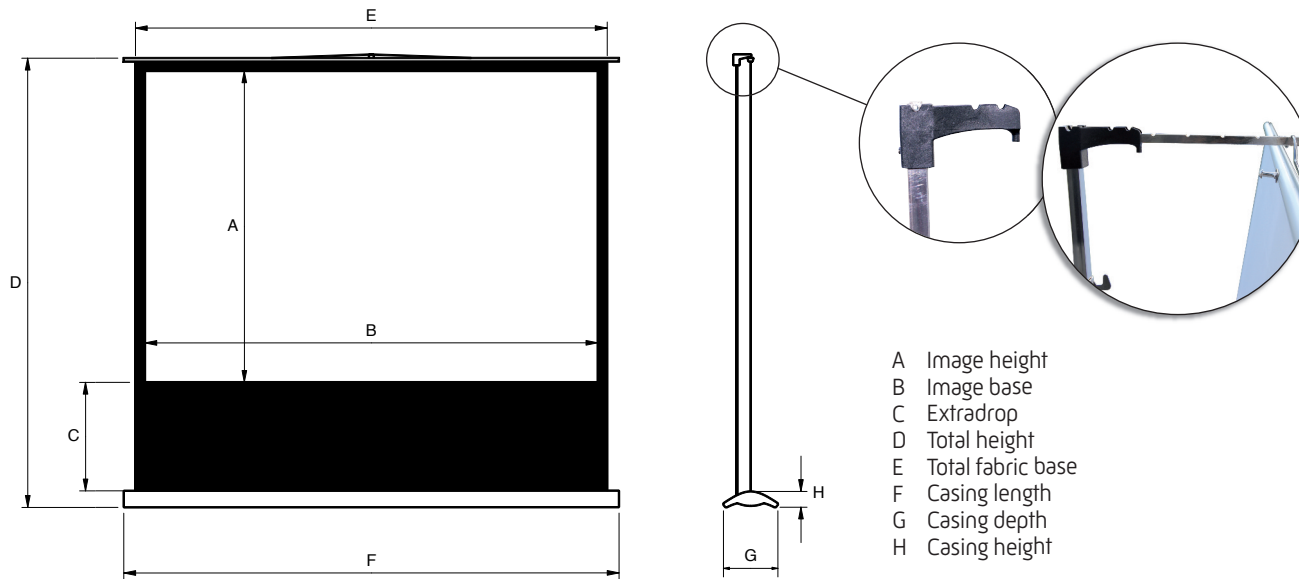


Front and side view

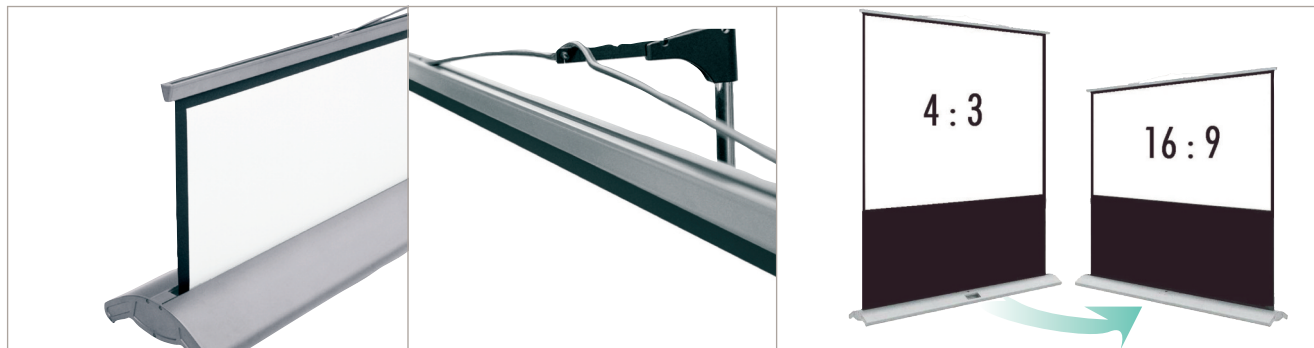


- A Image height
- B Image base
- C Extradrop
- D Total height
- E Total fabric base
- F Casing length
- G Casing depth
- H Casing height



Telescopic upright

Projection on both sides



This new generation of mobile screens is simple, compact and robust.

- Anodised aluminium case.
- Projection on both sides.
- The height is adjustable thanks to a telescopic upright and a tilting device ensures parallax compensation.
- A tensioning device has been specially designed to hold the screen surface taut and wrinkle free.
- The opaque projection surface bears black borders.
- Matt white screen gain: 1.1
- Fire resistant projection surface.

Technical data

Reference	A (cm)	B (cm)	C (cm)	D (max) (cm)	E (cm)	F (cm)	G (cm)	H (cm)	Net weight (kg)
2 cm black borders	4:3 16:9	cm	4:3 16:9	cm	cm	cm	cm	cm	kg
FLY02B1120160	117 / 88	156	61 / 90	194	160	170	23	7	11
FLY02B1135180	132 / 99	176	66 / 99	214	180	190	23	7	12
FLY02B1150200	147 / 110	196	51 / 88	214	200	210	23	7	13

Chemin de Beaurepaire
CS 42005
91410 DOURDAN
FRANCE
Tel +33 (0)1 64 59 94 54
www.oray.fr