

Somfy remote and receiver



Modular rolling up screen of very large dimensions. An innovative concept which is a technical revolution for the large rolling up screens.

The screen is equipped with a double tubular integrated 220V electric motor with 2 adjustable end stops.

- couple: 2 x 55 Nm
- rotation speed: 17 tr/min
- rise speed of the surface: +/- 10 cm/sec

All the surfaces are compatible with the system. Standard fastening: suspension hooks for screens hung from a 50 mm boom.

Other mounting options are available. Screen fitted with roller counterbalance mechanism to prevent bending.

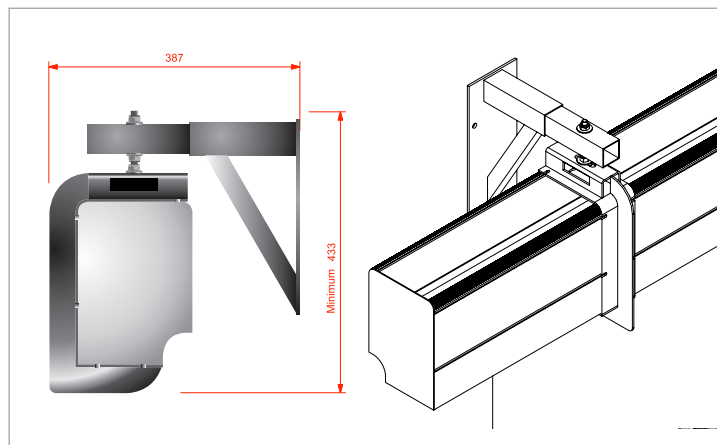
Control : inverter 3 positions or radio remote control

The standard color of the casing is black RAL9005

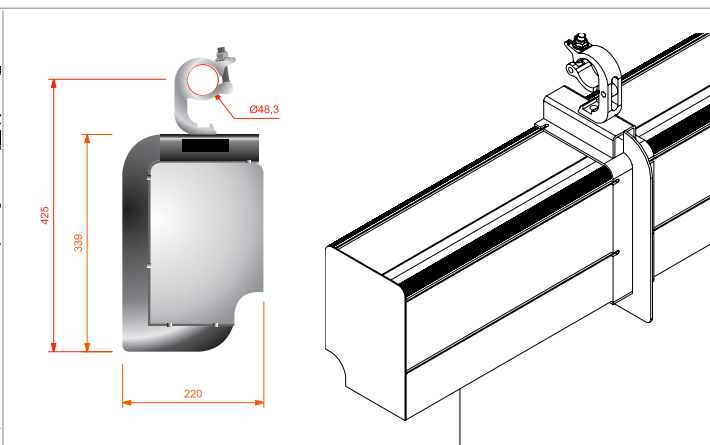
The aluminium casing consists of different modules assembled by external flanges.

### Installation brackets

WALL MOUNTING



BOOM MOUNTING



This system is adapted for the very large rolling up screens and ensures the perfect flatness of the fabric. Reliable, lightweight and easily carried.

Up to 12 meters, it can be fully assembled in our workshop. Above this dimension, it is assembled on site by qualified technicians. Maximal height of the projection surface: 10 meters



Chemin de Beurepaire - CS42005  
91410 DOURDAN - FRANCE  
Tel +33 1 64 59 94 54