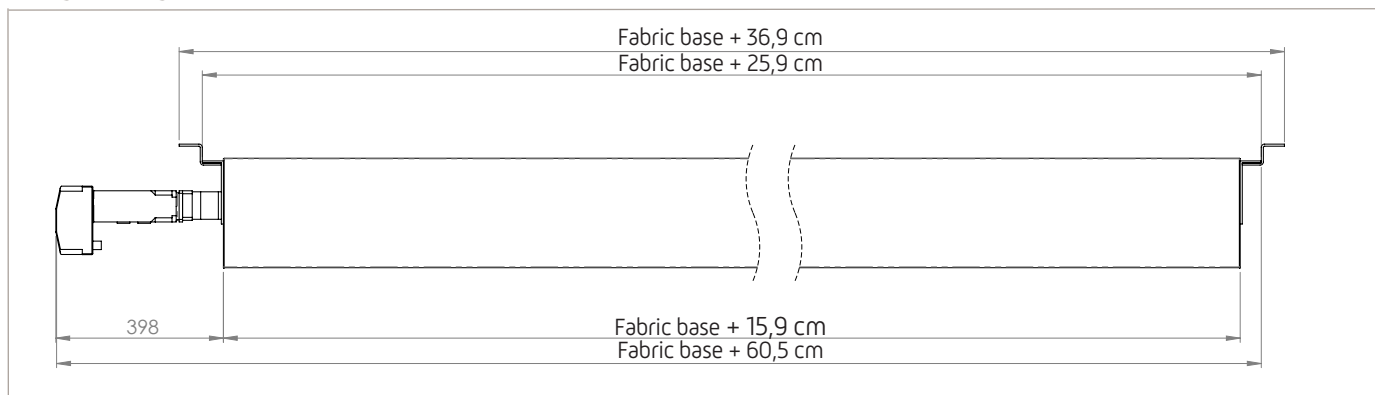
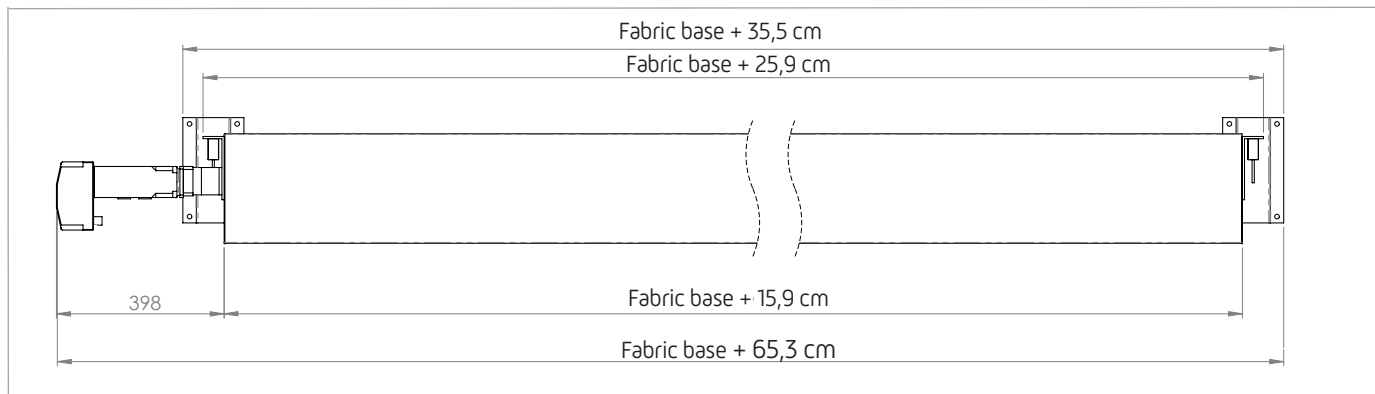


Front view

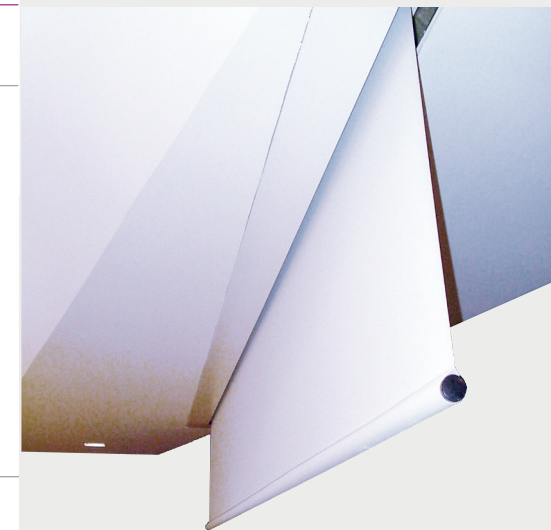
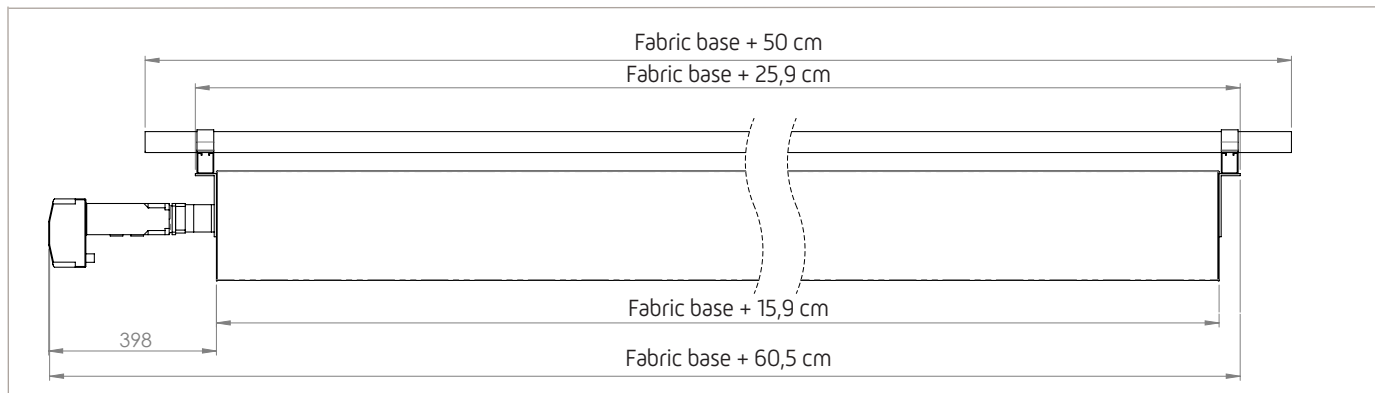
Ceiling mounting



Wall mounting



Boom mounting [OPTION]



The GFO screen range naturally complements the Orion screens to equip conference and seminar rooms of large capacity.



The GFO screen is easy to install and very compact.

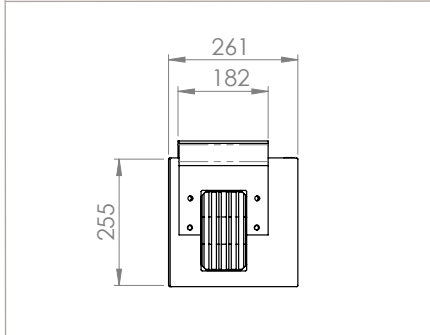
- Aluminum casing
- Screen fitted with the patented roller counterbalance mechanism to prevent bending.
- Winding tube diameter : 15 cm
- Weighing bar diameter: 3.4 cm



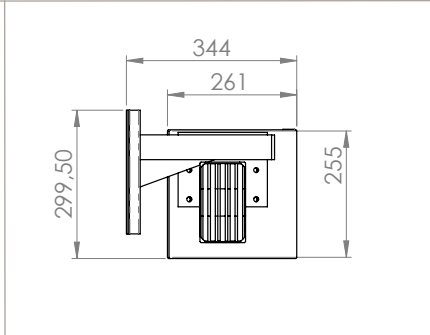
Chemin de Beurepaire - CS42005
91410 DOURDAN - FRANCE
Tel +33 1 64 59 94 54

Mounting brackets

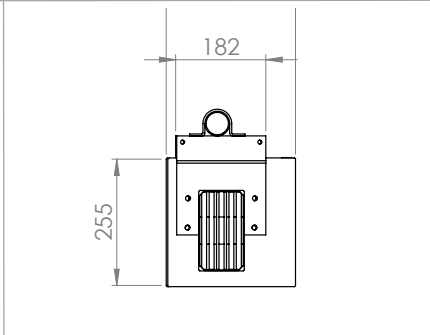
Ceiling mounting



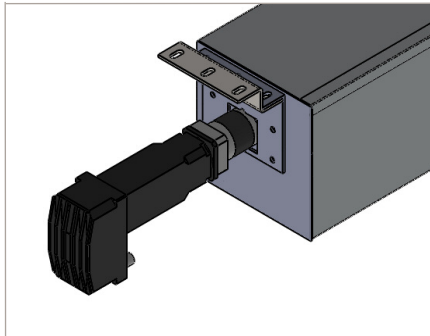
Wall mounting



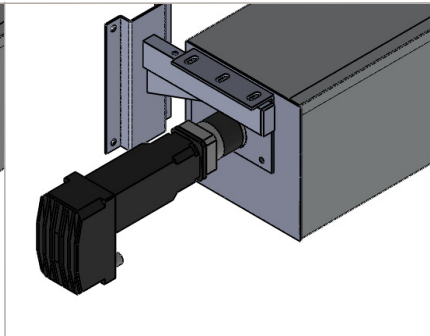
Boom mounting (OPTION)



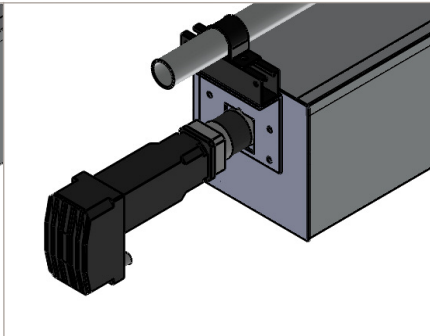
Detail - Ceiling mounting



Detail - Wall mounting



Detail - Boom mounting (OPTION)



- **They are custom made** for all formats with an image base from 7 meters up to 20 meters and more.
- **Voltage** : 230V
- **Wattage** : from 1 to 1.8 kW
- **Security brake** in case of power cut
- **rolling and unrolling speed** about 1m/s
- **Acceleration and deceleration** are controlled to avoid coughs
- **In case of power cut**, end-stops are kept in memory
- **Initial programming** from a computer with saved data.
- **End-stops** are set at the installation site with a radio remote control.



Chemin de Beurepaire - CS42005
91410 DOURDAN - FRANCE
Tel +33 1 64 59 94 54