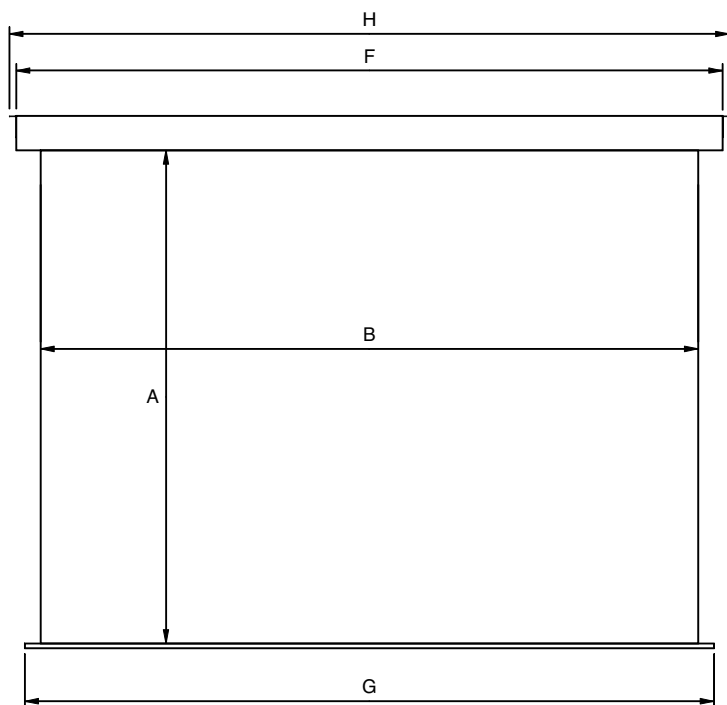
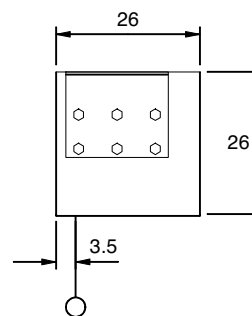
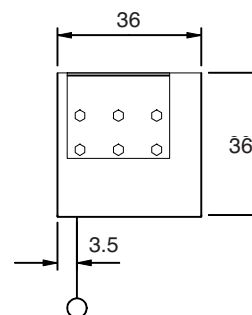


Front and side view



A Image height
 B Image base
 F Casing length
 G Weighing bar length
 H Overall length

Fabric base $\leq 7m$ 7m > Fabric base $\leq 8m$ 

Technical data

Reference	A cm	B cm	F cm	G cm	H cm	Wattage W	Net weight kg
GF1B1300600	300	600	615,5	603	625,5	350	92
GF1B1300700	300	700	715,5	703	725,5	350	103
GF1B1400500	400	500	515,5	503	525,5	350	104
GF1B1400600	400	600	615,5	603	625,5	350	122
GF1B1400700	400	700	715,5	703	725,5	350	141
GF1B1450600	450	600	615,5	603	625,5	350	137
GF1B1500600	500	600	615,5	603	625,5	350	156
GF1B1500700	500	700	715,5	703	725,5	350	176
GF1B1400800	400	800	820	803	832	710	402



The GFO screen range naturally complements the Orion screens to equip conference and seminar rooms of large capacity.



The GFO screen is easy to install.

- Casing with white epoxy finish.
- Screen fitted with the patented roller counterbalance mechanism to prevent bending, up to 7m only.
- Weighing bar diameter: 3.4 cm
- Equipped with safety brake certified DIN-EN-13241
- Motor is on the right

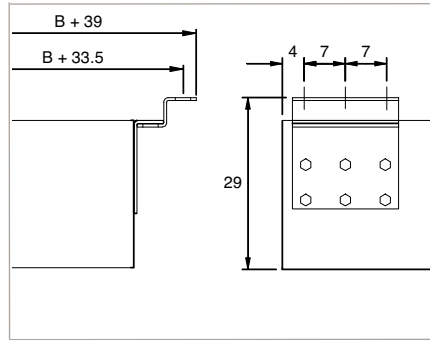


Chemin de Beaurepaire - CS42005
 91410 DOURDAN - FRANCE
 Tel +33 1 64 59 94 54

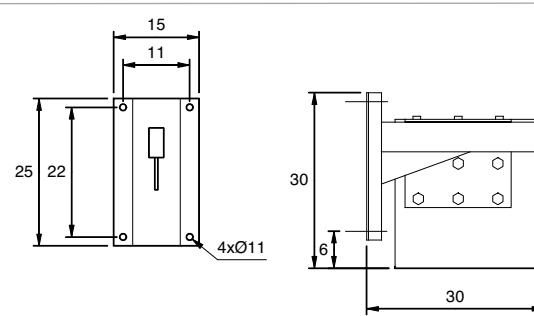


Mounting brackets : Fabric base $\leq 7m$

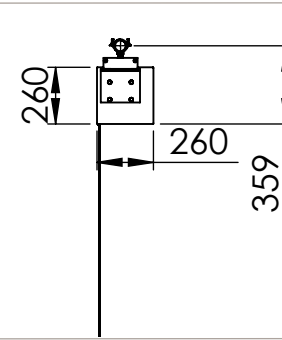
Ceiling mounting



Wall mounting



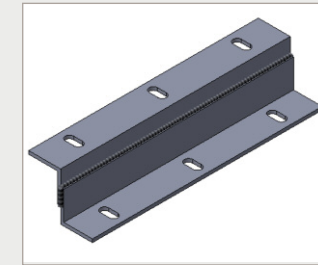
Boom mounting (OPTION)



Ceiling mounting $\leq 7m$

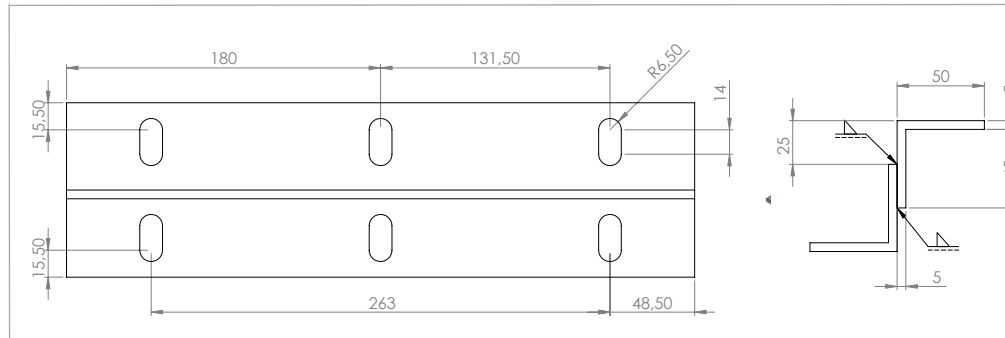


Ceiling mounting $> 7m$ et $\leq 8m$

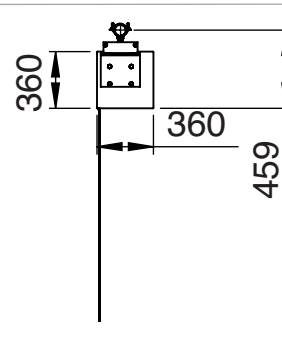


Fixations : $7m >$ Fabric base $\leq 8m$

Ceiling mounting



Boom mounting (OPTION)



Wall mounting $\leq 7m$

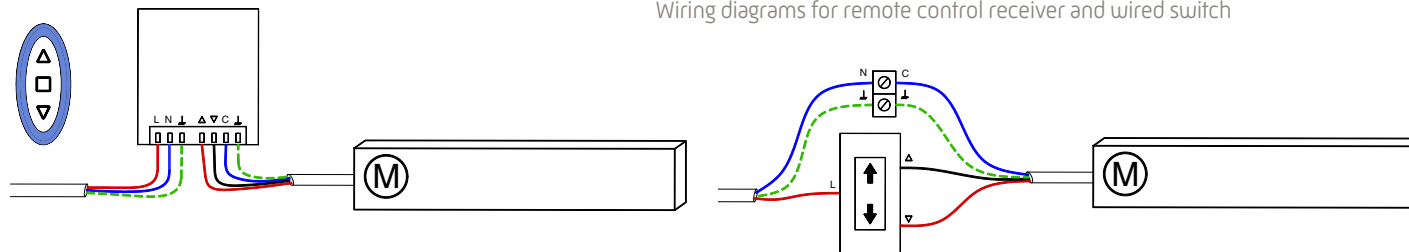


Boom mounting $\leq 7m$ (OPTION)



Wiring

Wiring diagrams for remote control receiver and wired switch



Chemin de Beaupaire - CS42005
91410 DOURDAN - FRANCE
Tel +33 1 64 59 94 54